

TECHNICAL DATA SHEET: 0021026
TIE OFF ANCHOR POINT-STAINLESS STEEL
PN: 115-154-90 (LEFT & RIGHT)



Application:

Recommend use with Tuf-Tug Safe Climb Systems

Operating Temp. Range: 140°F (60°C) to -40°F (-40°C)

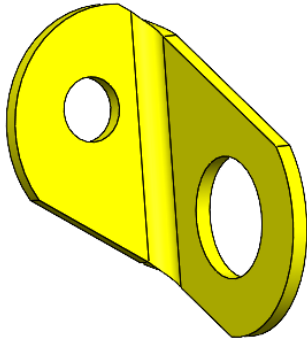
Corrosion Rating: C4 High per ISO 12944

Load Rating 5,000lbs (Rated to 1 Person)

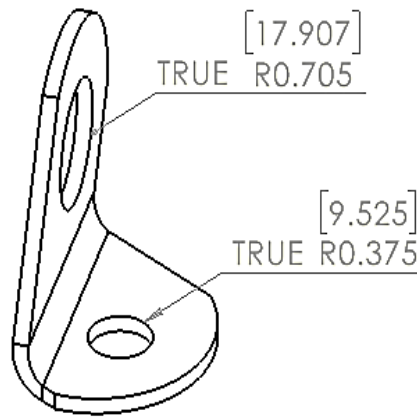
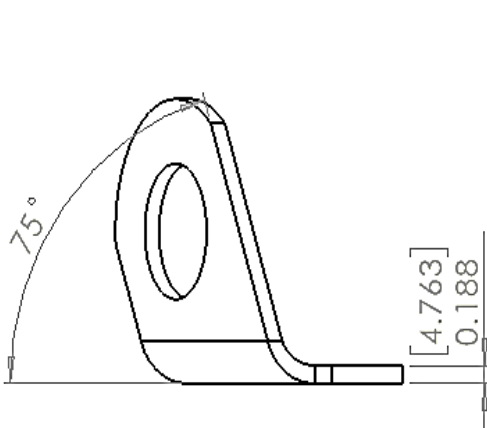
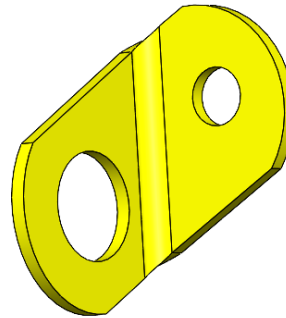
APPLICABLE STANDARDS:

OSHA / ANSI Z359.18

115-154-90L



115-154-90R



QTY	Component	Material	Finish
1	Tie Off Anchor Point-1 person	304 Stainless Steel	Safety Yellow