

**TECHNICAL DATA SHEET: 0021027**  
**TIE OFF ANCHOR POINT-STAINLESS STEEL**  
**PN: 115-154-45**



**Application:**

Recommend use with Tuf-Tug Safe Climb Systems

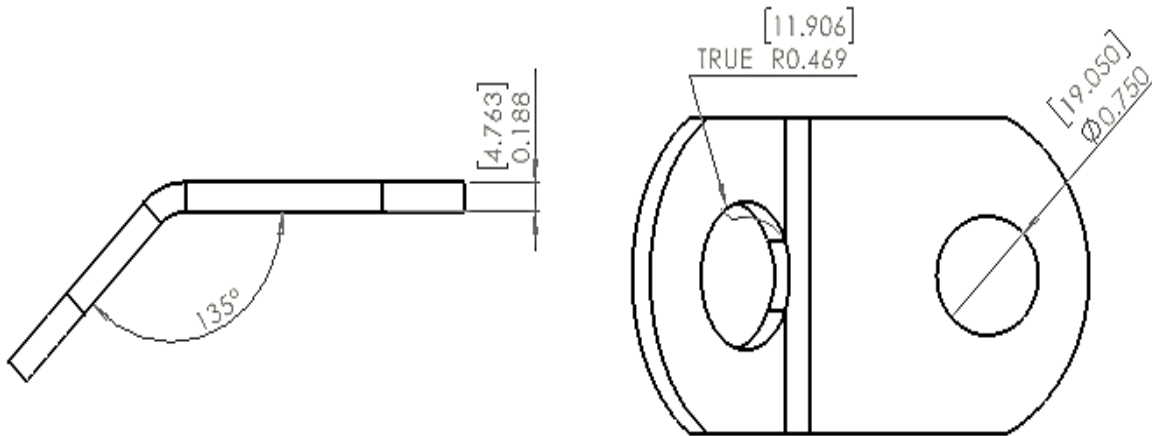
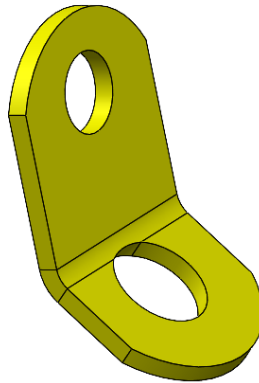
Operating Temp. Range: 140°F (60°C) to -40°F (-40°C)

Corrosion Rating: C4 High per ISO 12944

Load Rating 5,000lbs (Rated to 1 Person)

**APPLICABLE STANDARDS:**

OSHA / ANSI Z359.18



	QTY	Component	Material	Finish
1	1	Tie Off Anchor Point-1 person	304 Stainless Steel	Safety Yellow