

TECHNICAL DATA SHEET: 0021004
FALL ARRESTOR W/ SHOCK PACK
PN: TTWG-500-BSEN



Application:

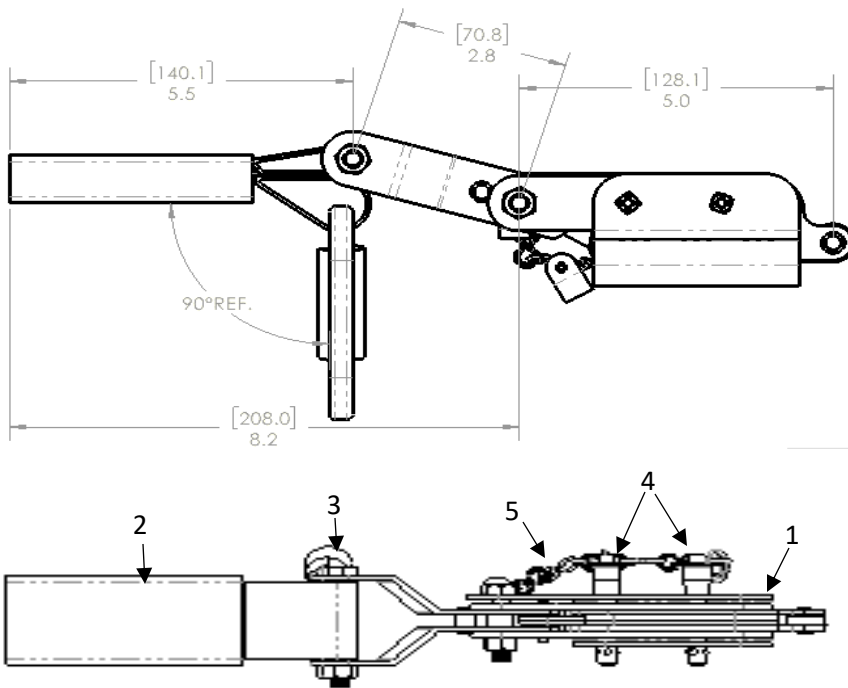
Recommend use with Tuf-Tug Safe Climb Systems with 3/8 Diameter Wire Rope

Operating Temp. Range: 140°F (60°C) to -40°F (-40°C)

Load Rating 310lbs

APPLICABLE STANDARDS:

OSHA / ANSI Z359.16 / TIA 222 / EN 353-1:2014+A1:2017 / CSA Z259.2.5



	QTY	Component	Material	Finish
1	1	Fall Arrestor	304 Stainless Steel	Black
2	1	Shock Absorber Pack	304 Stainless Steel	Blue
3	1	Carabiner	304 Stainless Steel	Zinc
4	2	Quick Release Pins	304 Stainless Steel	Natural
5	1	Jack Chain	304 Stainless Steel	Natural