

TECHNICAL DATA SHEET: 0021002
CABLE GUIDE, MONOPOLE, HDG
PN: 115-303



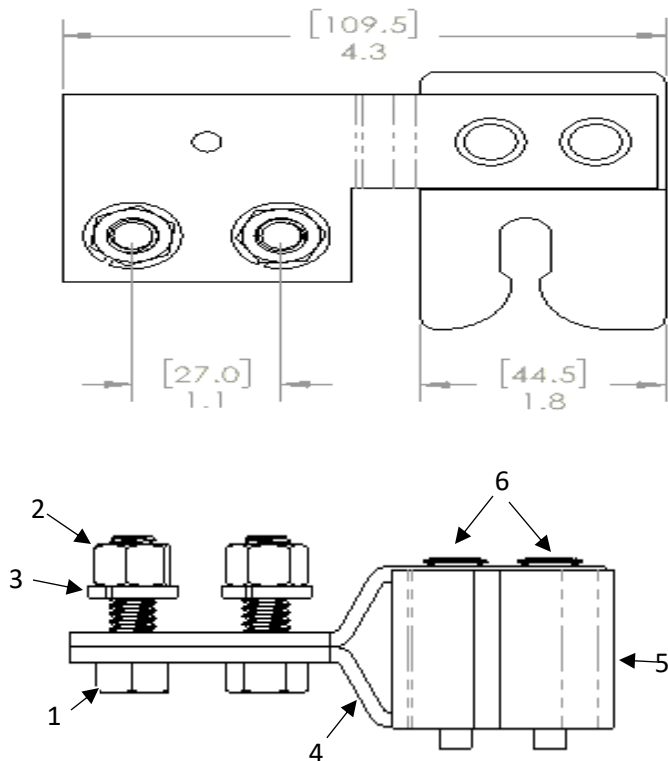
Application:

Recommend use with Tuf-Tug Monopole Safe Climb System

Operating Temp. Range: 140°F (60°C) to -40°F (-40°C)

APPLICABLE STANDARDS:

OSHA / ANSI Z359.16 / TIA 222



	QTY	Component	Material	Finish
1	2	3/8-16 x 1.00 Hex Head Cap Screw – Grade 5	Carbon Steel	HDG
2	2	3/8"-16 Hex Nut	Carbon Steel	HDG
3	2	3/8" Split lock washer	Carbon Steel	HDG
4	1	Cable Guide Side Brackets	Carbon Steel	HDG
5	1	Cable Guide Adaptor	Santoprene	Black
6	2	Tubular Rivet	304 Stainless Steel	Natural