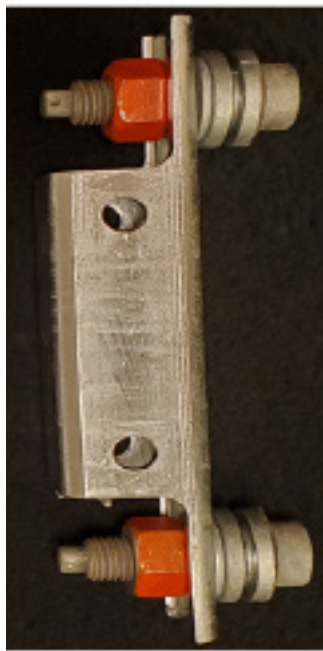


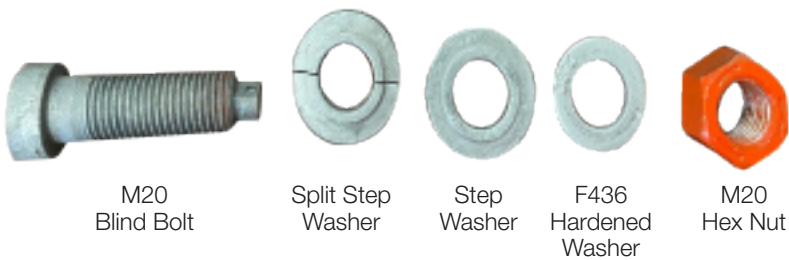
115-356-BB



115-175-BB



Blind Bolt Hardware Breakdown



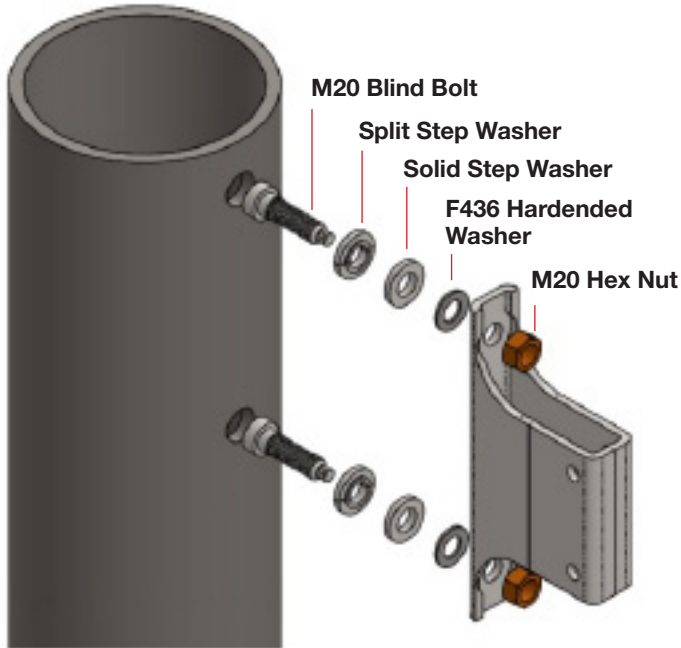
AJAX
Installation Link:

AJAX Installation Tool:

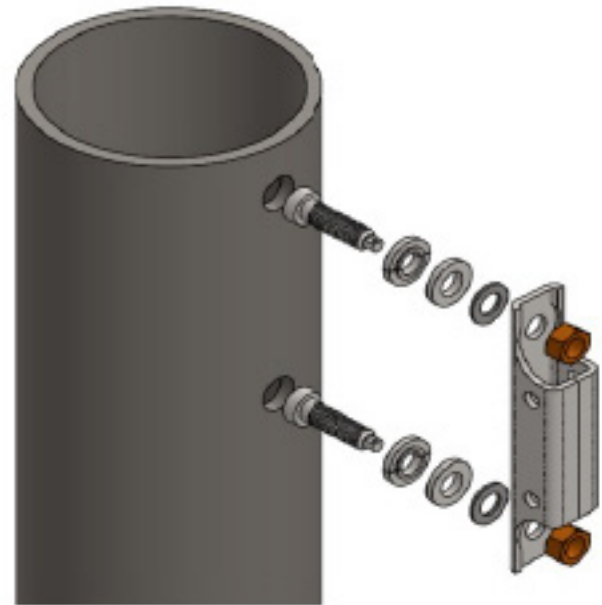


Optional DTI
Squirter[®] washer
DTI installation
guide Link:





115-356-BB 2 x 6 Extended Blind Bolt Head Adaptor



115-175-BB 2 x 2 Standard Blind Bolt Head Adaptor

Installation:

- Identify mount location with a clear climb path down tower/central to existing climb facility.
- 3/16" minimum steel tower wall section required.
- Transfer mount hole locations from TT115-175 or 115-356 bracket onto the structure.
- Drill holes to clear the head diameter of the blind bolt by 1/16 inch. Coat raw steel with Zinga or ZRC 93% zinc content (brush on only).
- Install blind bolt(s) and Tuf-Tug bracket onto structure per AJAX instructions with outboard retaining washers between pole and mount bracket (Ensure the F436 hardened washer is between the solid step washer and Tuf-Tug's mount bracket).
****Note:** Make sure step face seats into the drilled hole in face of structure.
- Secure installation with M20 hex nut provided. Torque M20 hex nut to target range of 220 to 280 ft.lb. and mark fasteners. **Squirter Washer is Optional**
- Attach cable safe climb head assembly to bracket and secure with 1/2" fasteners. Torque to 40 ft.lb. and mark fasteners.
- Double check security of installation before use.

Questions/concerns contact:

BB-INST - Rev 4