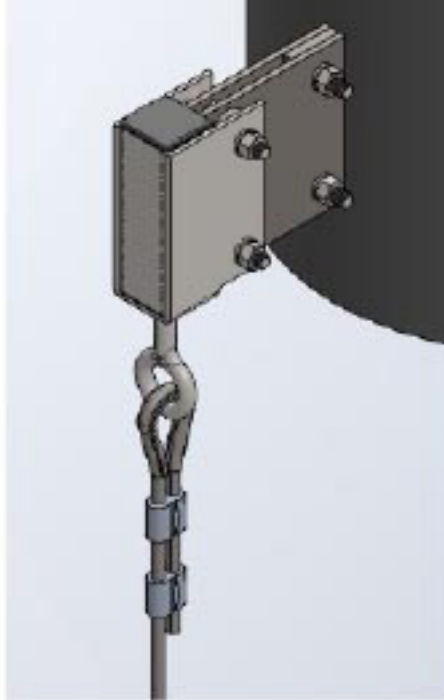
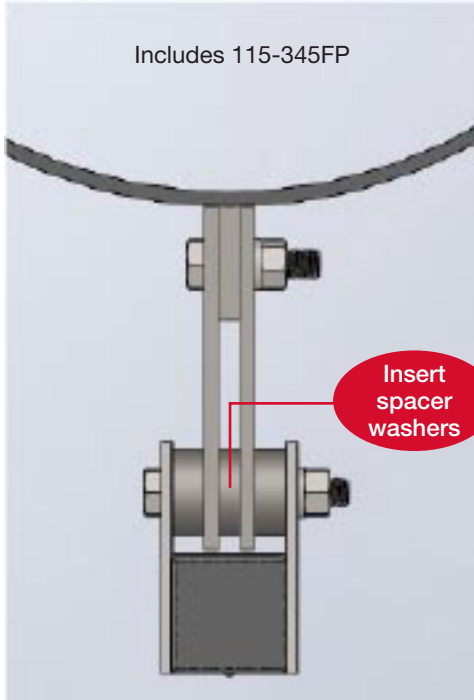


### INSTALLATION INSTRUCTIONS



- Monopole Head Extension Brackets provide a total of 9 inches clearance off the face of the pole to the center line of safe climb.
- Monopole Head Extension Brackets have been load tested to 5000 lbs. This anchorage will provide an engineered connection for a minimum (2) person simultaneous safe climb use with a TUF-TUG System.
- Torque fasteners to approximately 45 ft.lbs. and mark fasteners.
- Inspect security and condition with each use.





## 115-345/144

### Cable Safe Climb System Head Extension Kit For 115-144 Channel Weldments Head Extension Kit



A) Attach assembly to channel weldment with (2) each washers on either side



B) Finish connection with nuts and lock washers, attached finger tight



C) Install tube reinforcement in head assembly



D) Insert 1/2" bolts through both sides of assembly



E) Attach nuts and torque to 45 ft.lb. and mark fasteners.



F) Completed installation

- Meets ANSI/OSHA 5,000 lb. load requirements.
- Extends CSCS to 6" off face of climb facility
- Inspect security and condition with each use

Questions/concerns contact:

115-345-INST - Rev 1

3434 Encrete Lane Moraine, OH 45439

Phone: 937/299-1213 | email: [info@TUF-TUG.com](mailto:info@TUF-TUG.com) | [www.TUF-TUG.com](http://www.TUF-TUG.com)

